

6

5

4

3

2

1

REVISION RECORD		
REV	REVISIONS DONE OR ECO NUMBER:	DATE:
A.00	PRODUCTION RELEASE	7-26-00

D

D

C

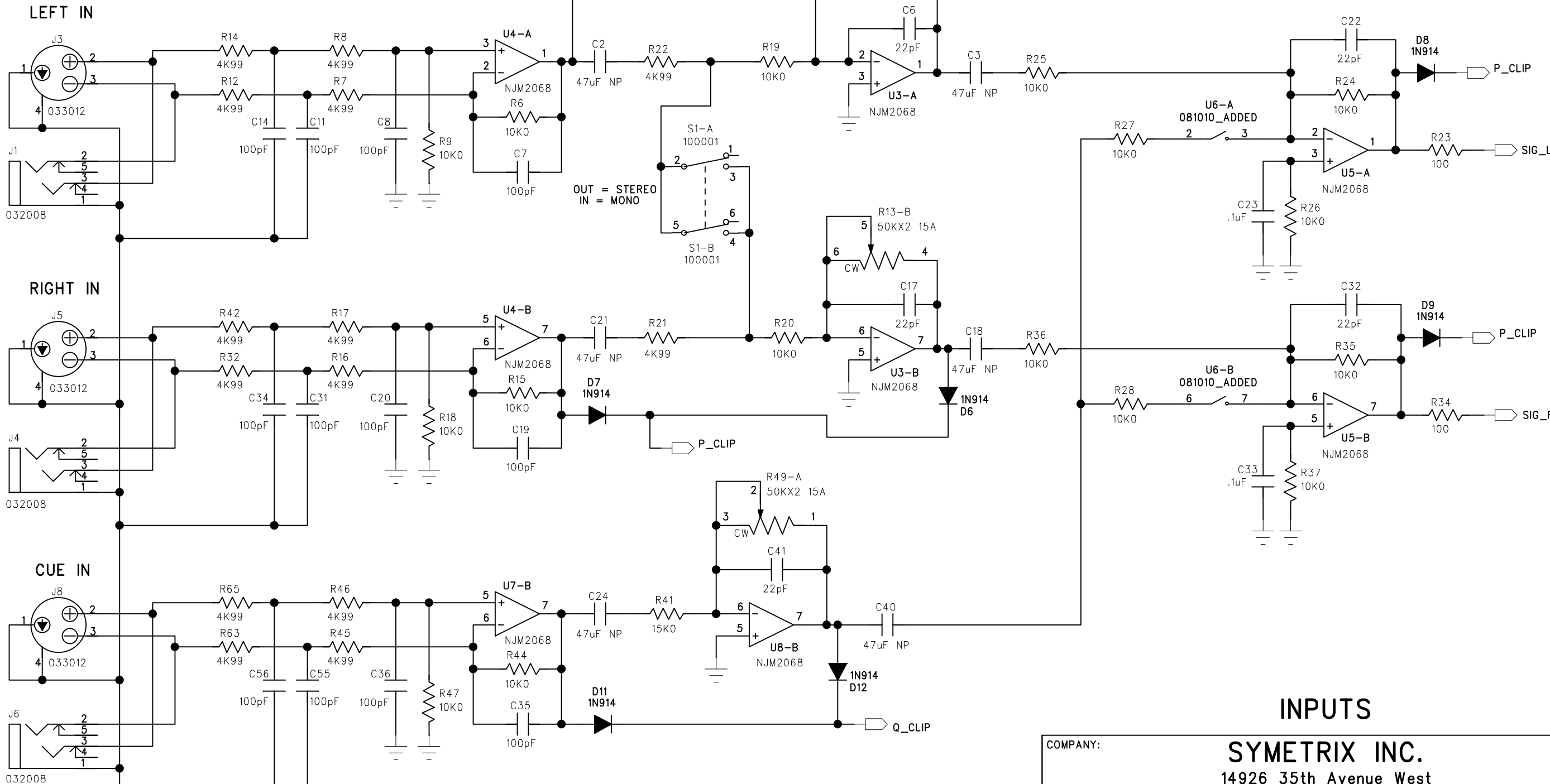
C

B

B

A

A



INPUTS

COMPANY:		SYMETRIX INC.	
		14926 35th Avenue West	
		Lynnwood, WA 98037-2303 USA	
TITLE:		506E HEADPHONE AMP	REV: A.00
DRAWING NO:		SHEET: 1 OF 9	

DRAWN:	DATED:
ba	4-1-2000
RELEASED:	DATED:

6

5

4

3

2

1

SEE SHEET 1 FOR REVISIONS

D

D

C

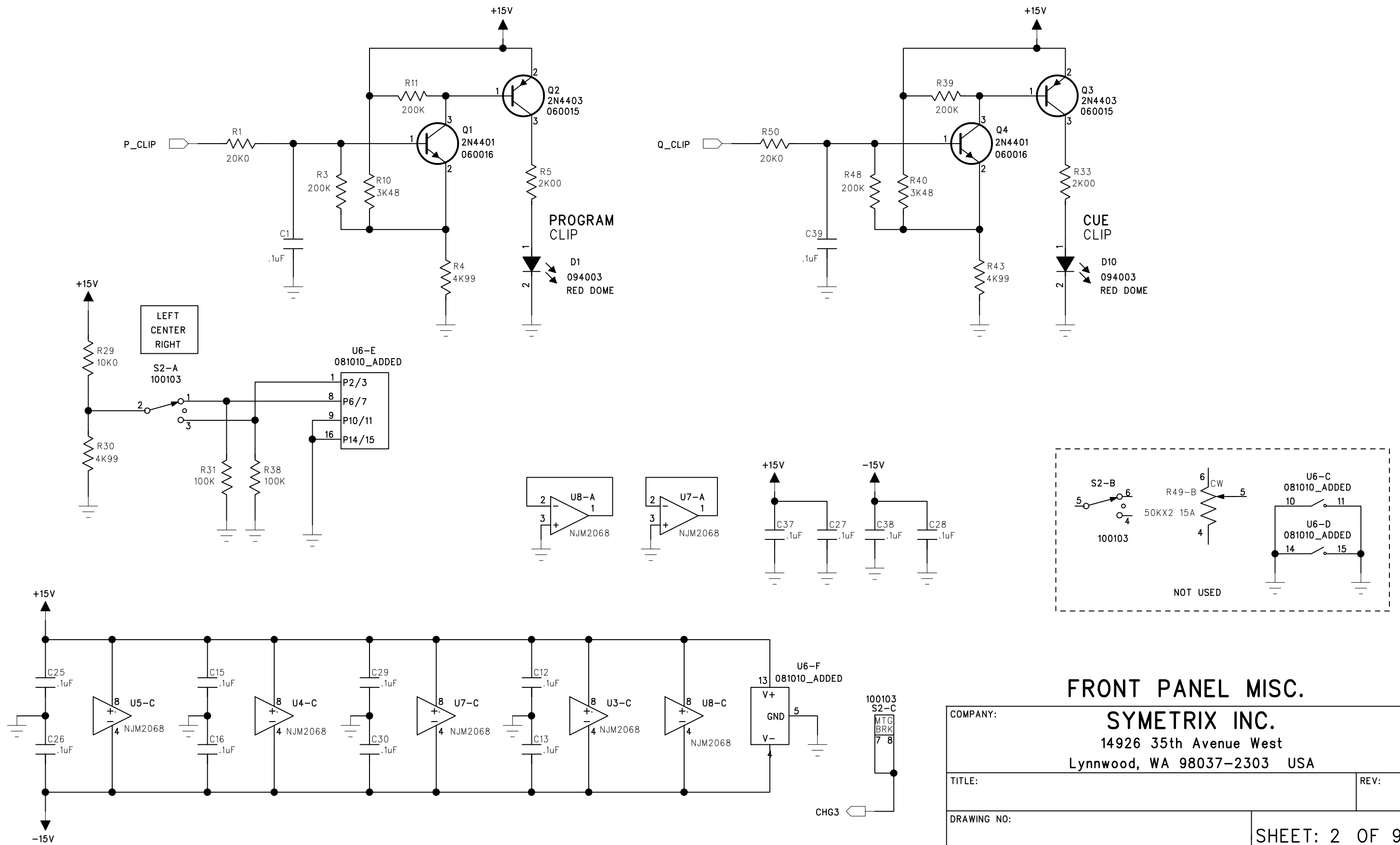
C

B

B

A

A



FRONT PANEL MISC.

COMPANY:		SYMETRIX INC.	
		14926 35th Avenue West Lynnwood, WA 98037-2303 USA	
TITLE:		REV:	
DRAWING NO:		SHEET: 2 OF 9	

6

5

4

3

2

1

SEE SHEET 1 FOR REVISIONS

D

D

C

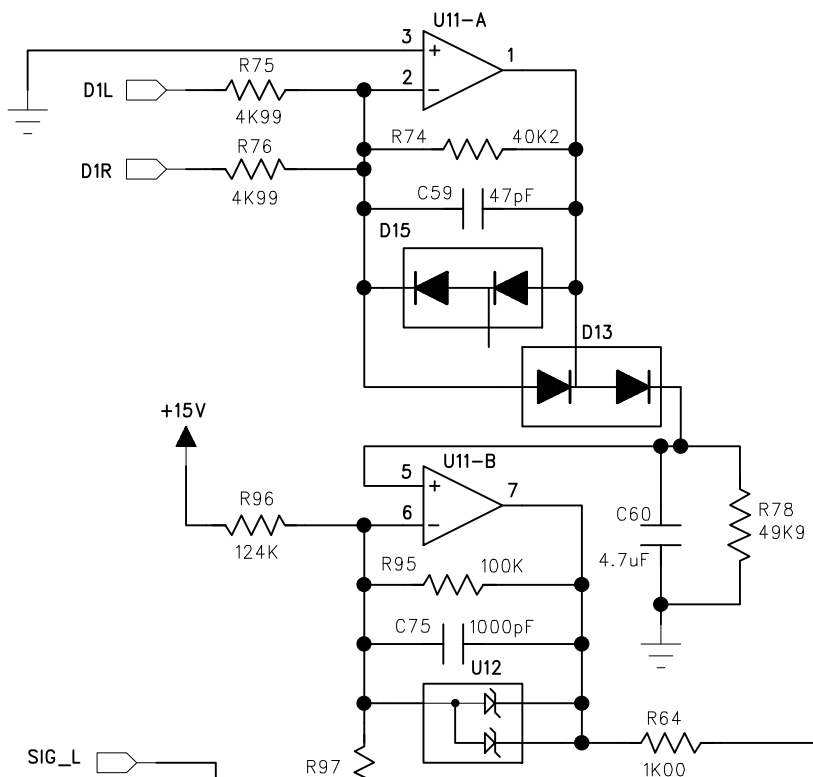
C

B

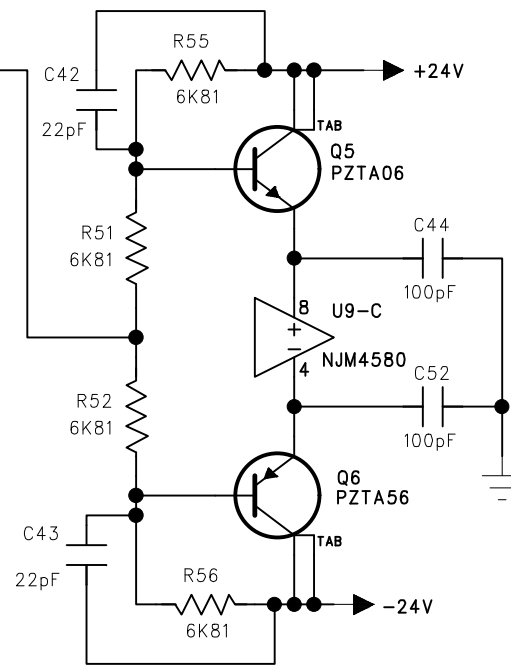
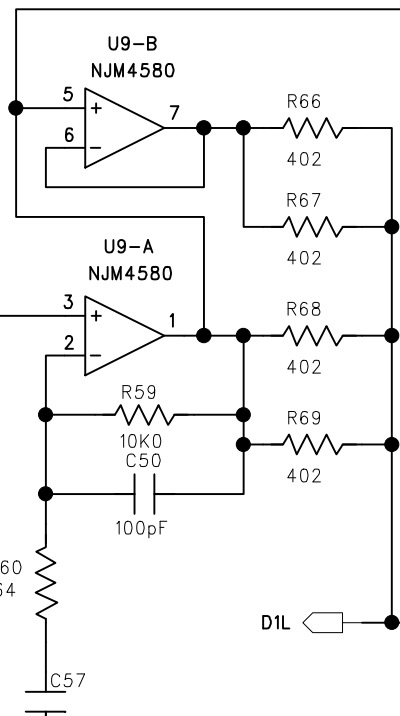
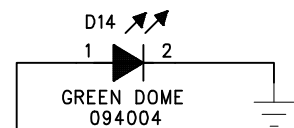
B

A

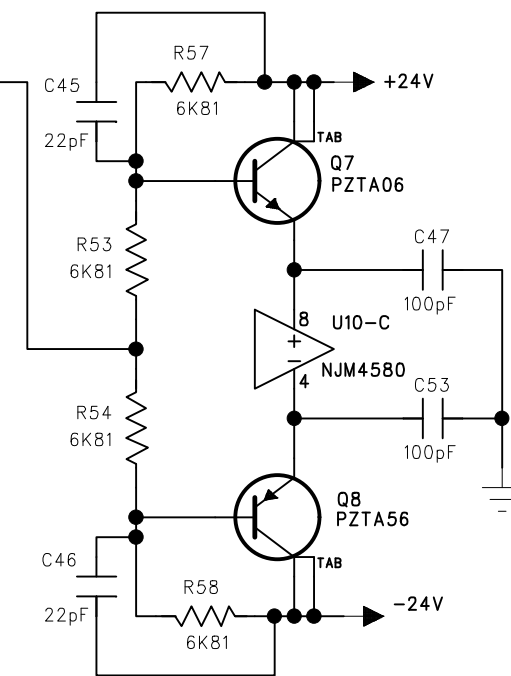
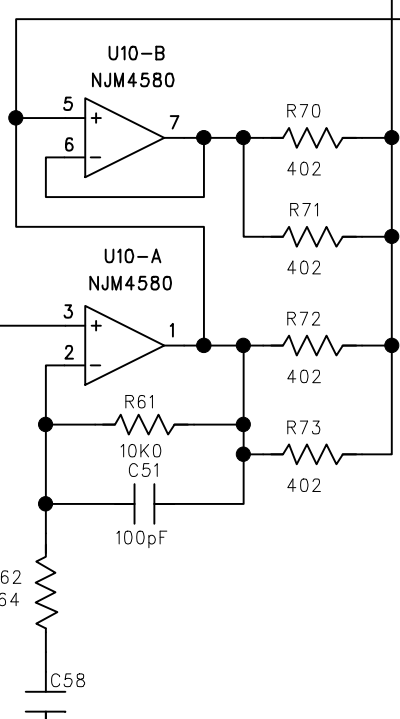
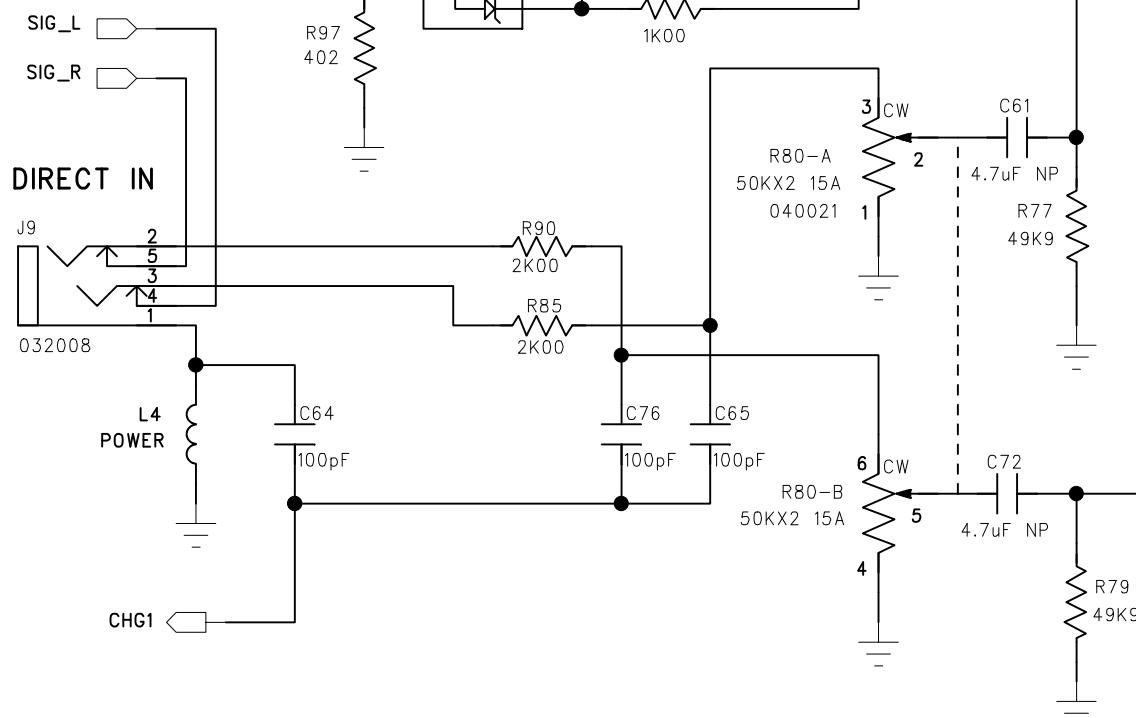
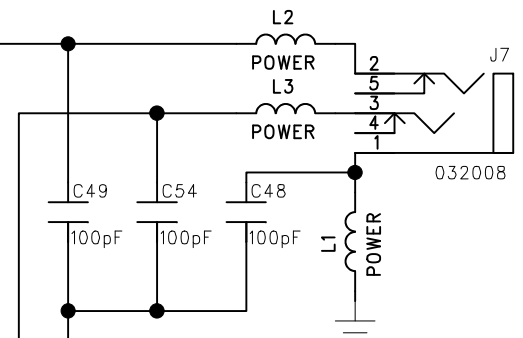
A



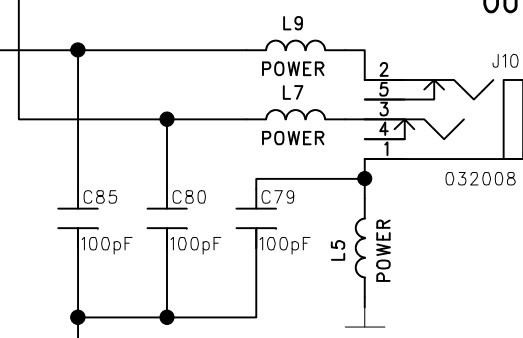
SIGNAL PRESENT



FRONT OUT



REAR OUT



CHANNEL 1 OUT

COMPANY:		SYMETRIX INC.	
		14926 35th Avenue West Lynnwood, WA 98037-2303 USA	
TITLE:		REV:	
DRAWING NO:		SHEET: 3 OF 9	

6

5

4

3

2

1

SEE SHEET 1 FOR REVISIONS

D

D

C

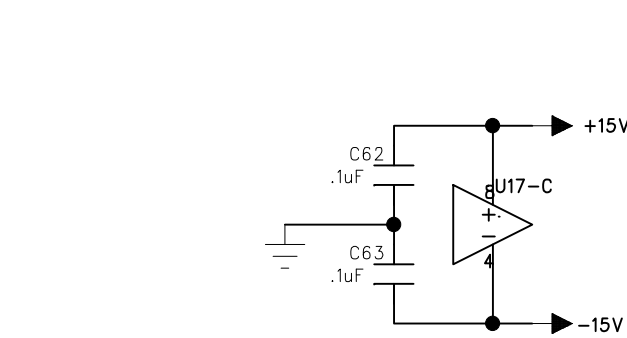
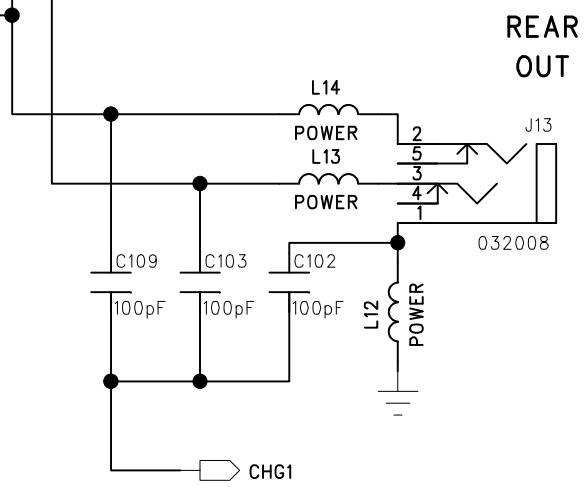
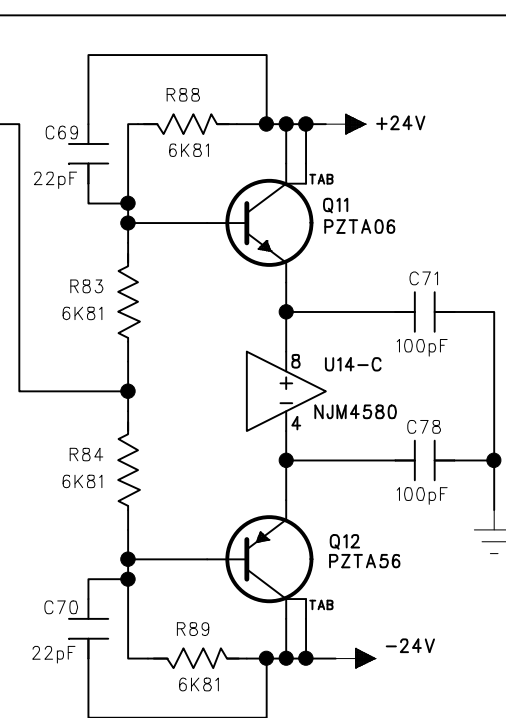
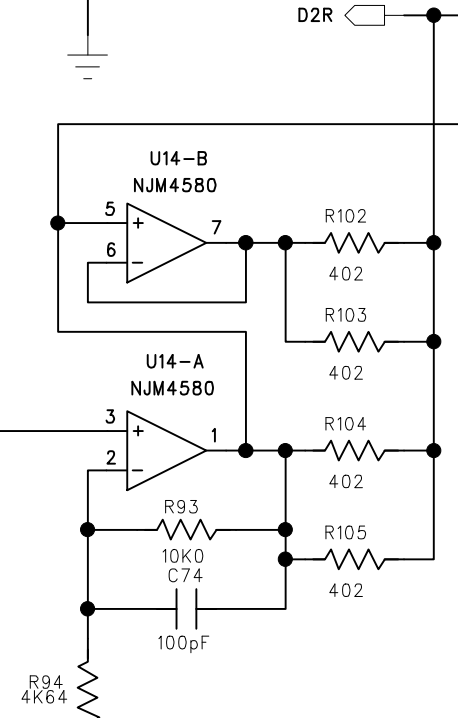
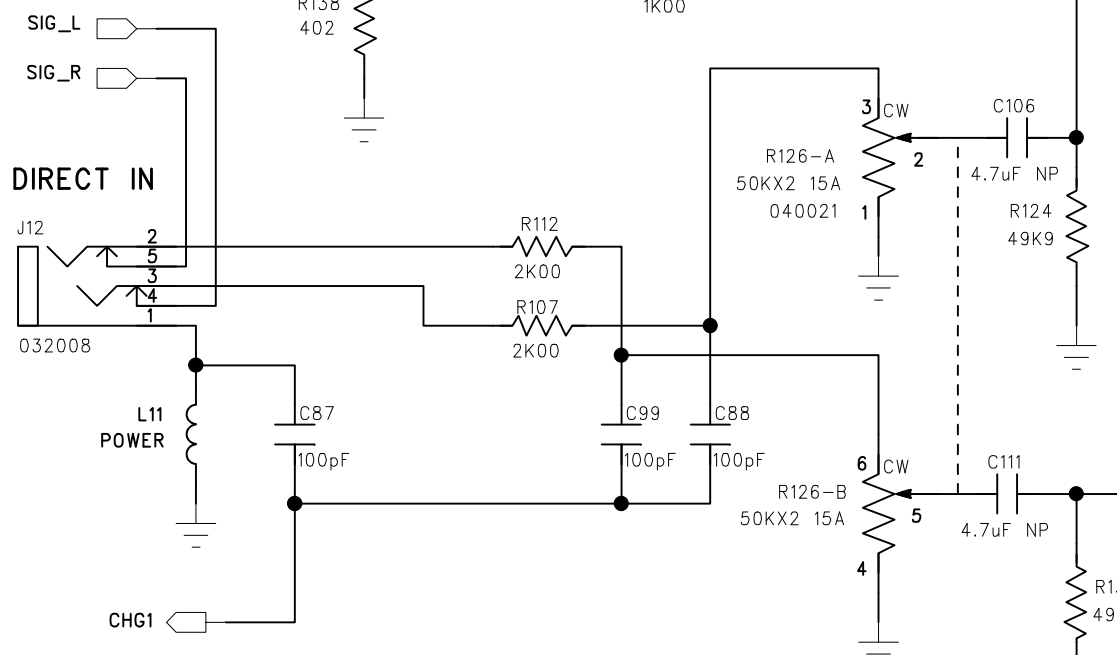
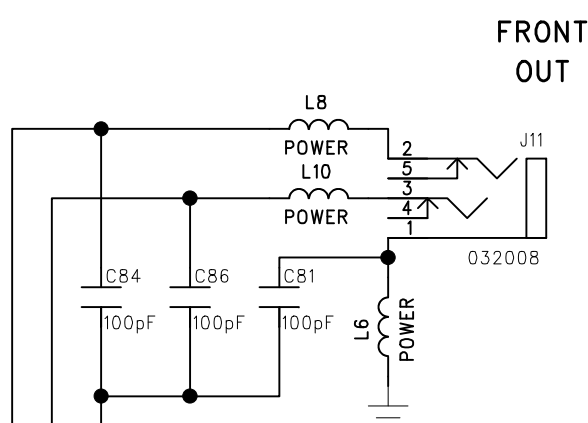
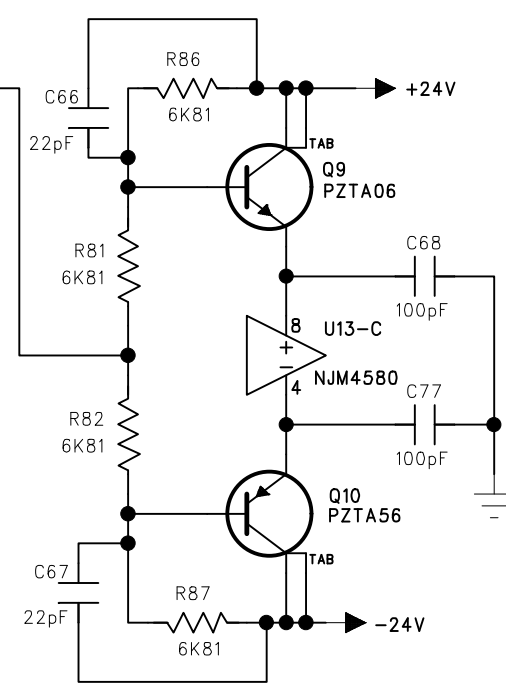
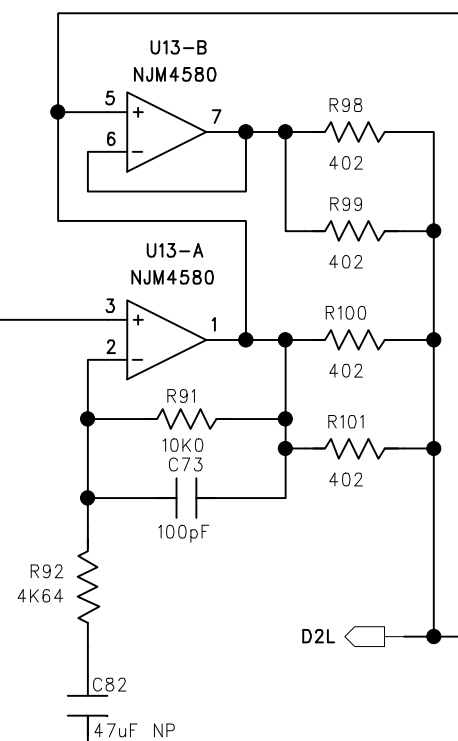
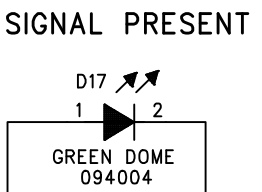
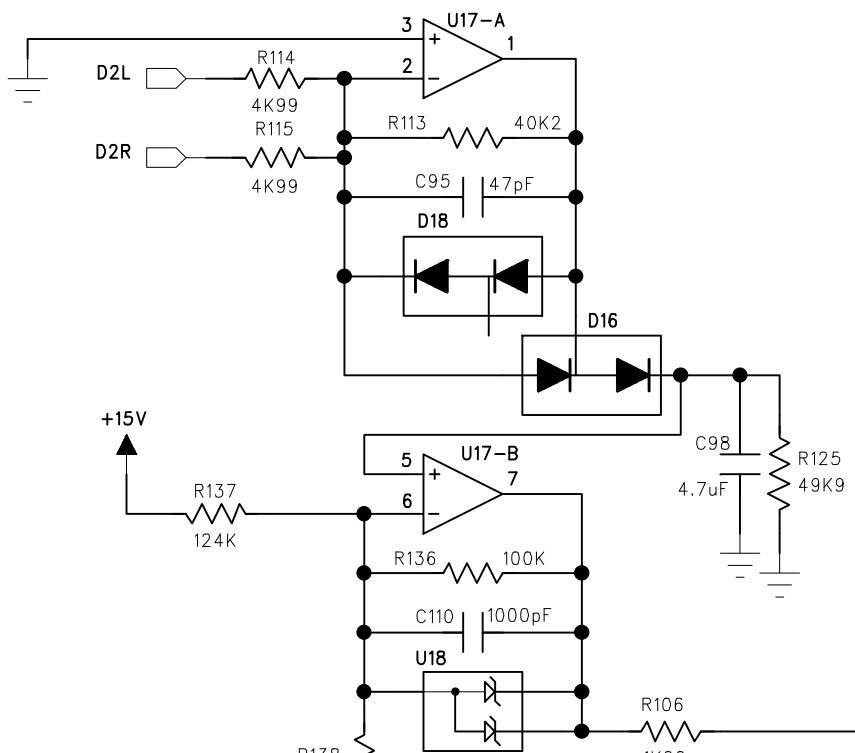
C

B

B

A

A



CHANNEL 2 OUT

COMPANY:		SYMETRIX INC.	
		14926 35th Avenue West Lynnwood, WA 98037-2303 USA	
TITLE:		REV:	
DRAWING NO:		SHEET: 4 OF 9	

6

5

4

3

2

1

SEE SHEET 1 FOR REVISIONS

D

D

C

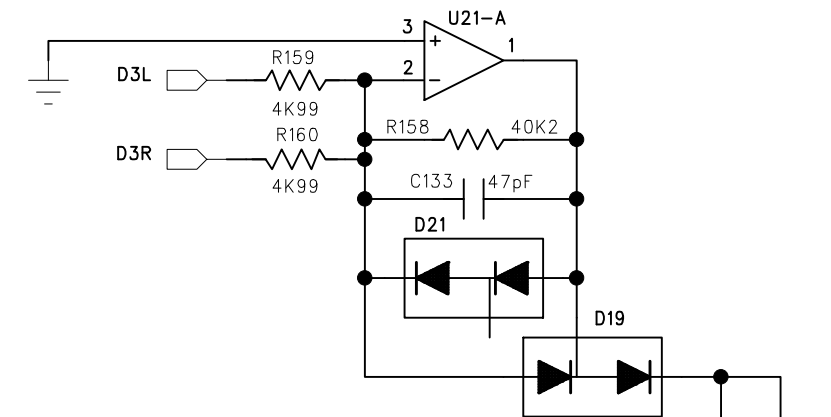
C

B

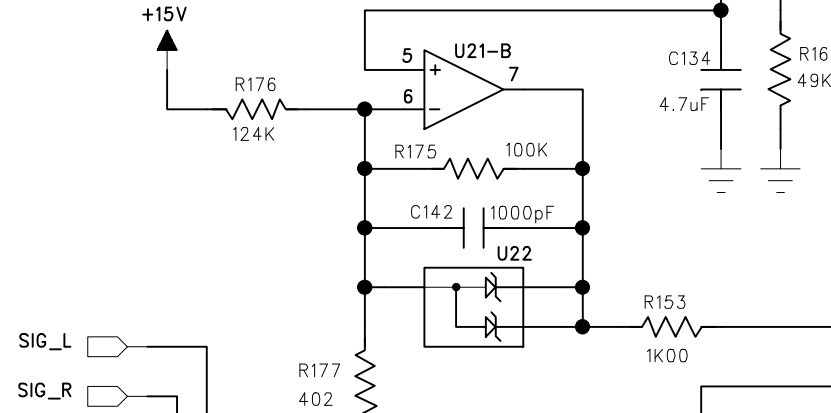
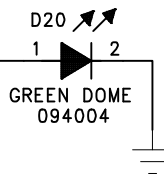
B

A

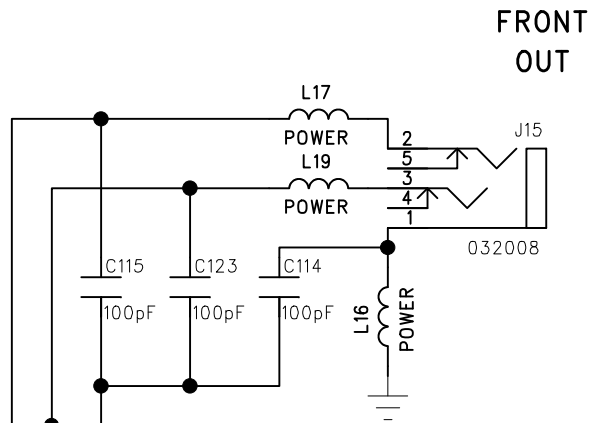
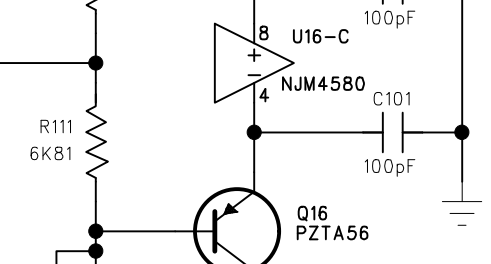
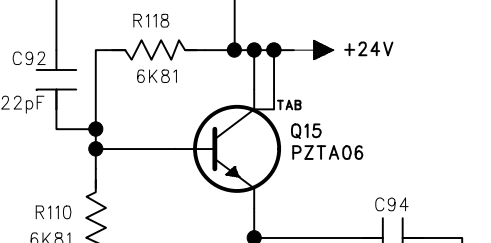
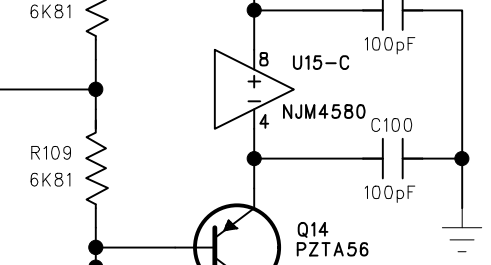
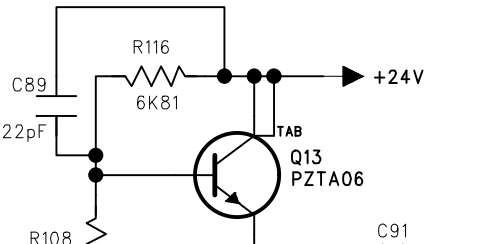
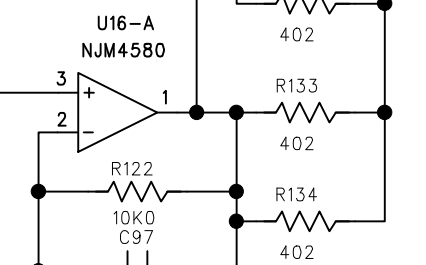
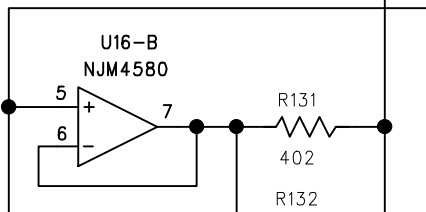
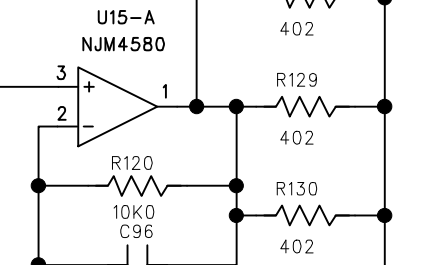
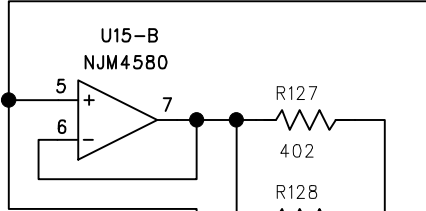
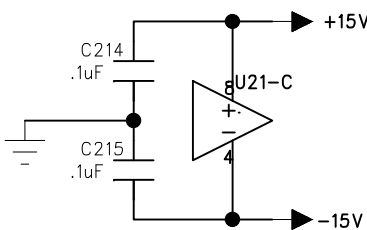
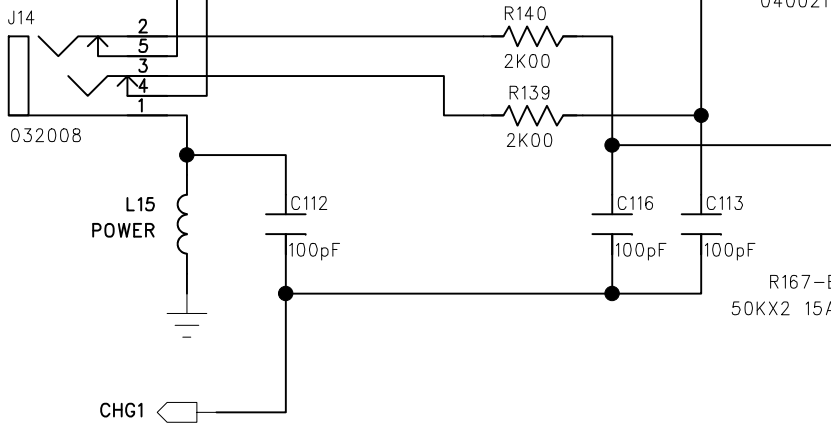
A



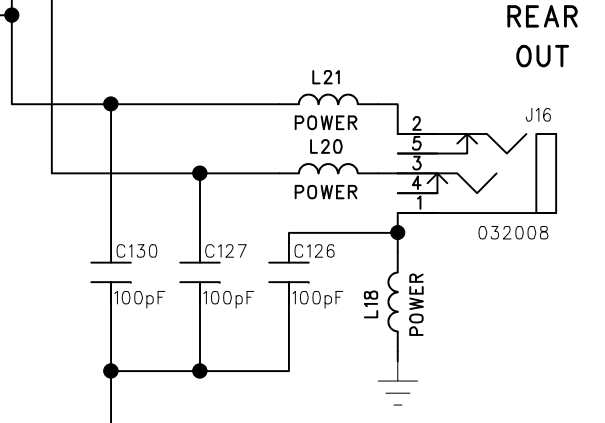
SIGNAL PRESENT



DIRECT IN



FRONT OUT



REAR OUT

CHANNEL 3 OUT

COMPANY:		SYMETRIX INC.	
		14926 35th Avenue West Lynnwood, WA 98037-2303 USA	
TITLE:		REV:	
DRAWING NO:		SHEET: 5 OF 9	

6

5

4

3

2

1

SEE SHEET 1 FOR REVISIONS

D

D

C

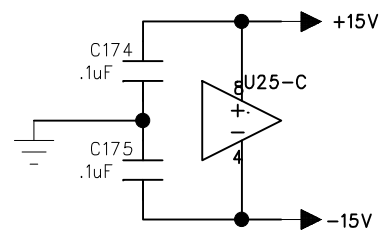
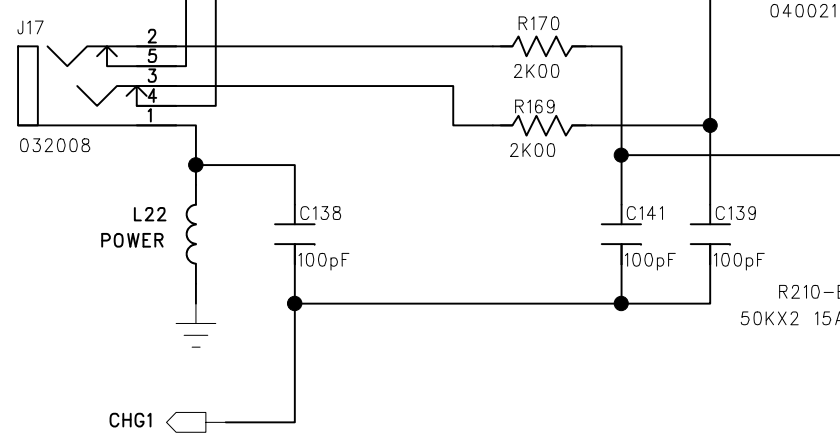
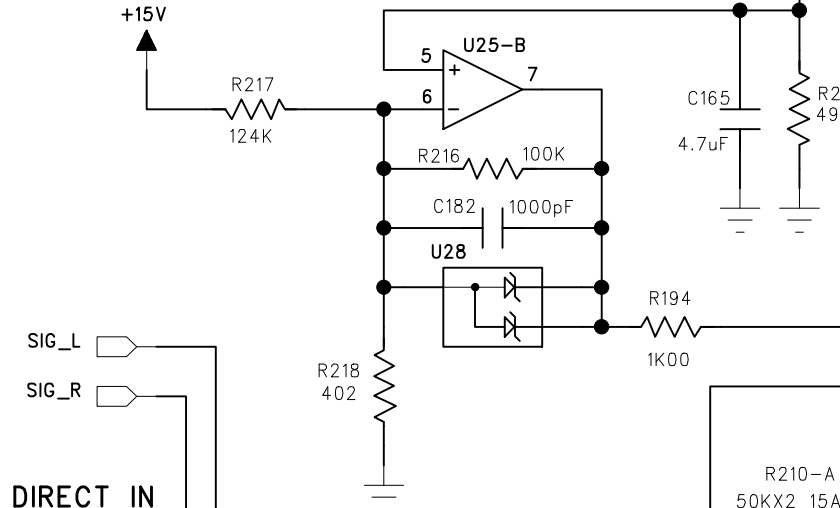
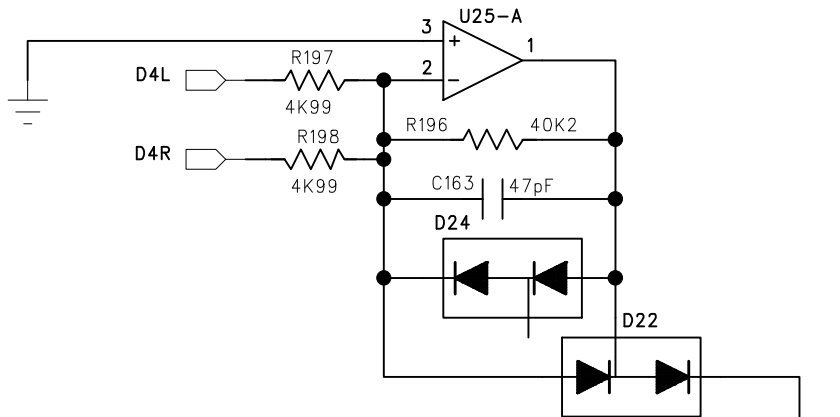
C

B

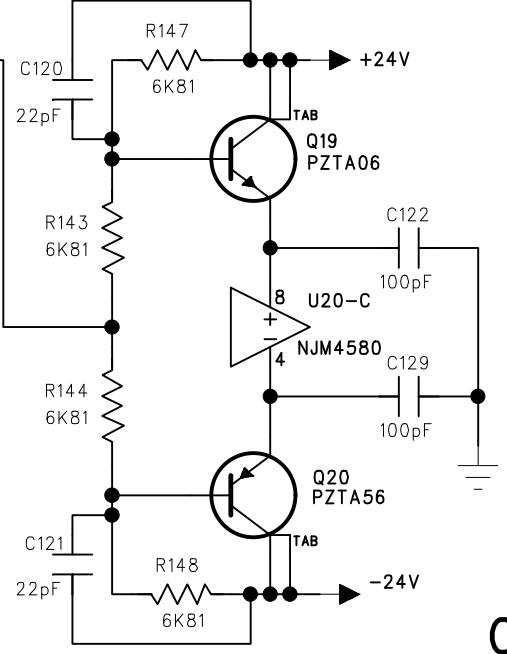
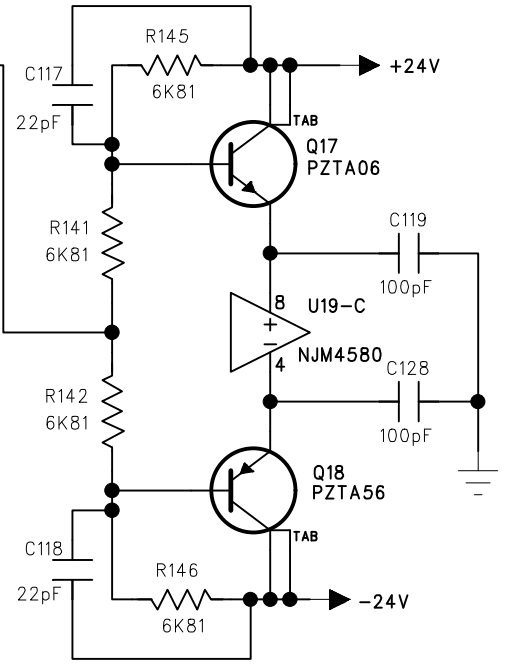
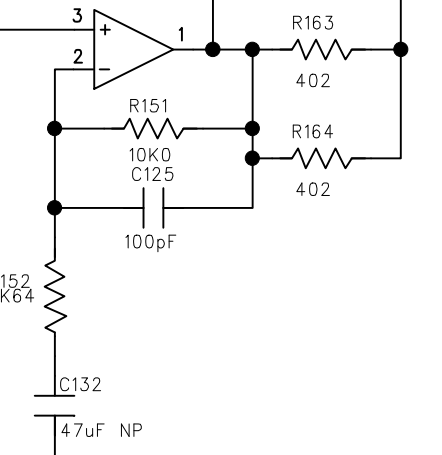
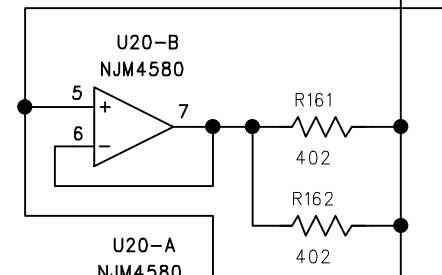
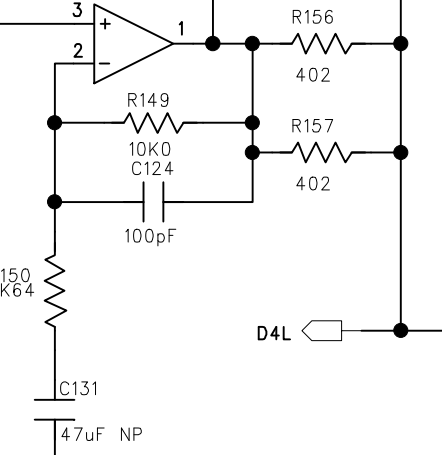
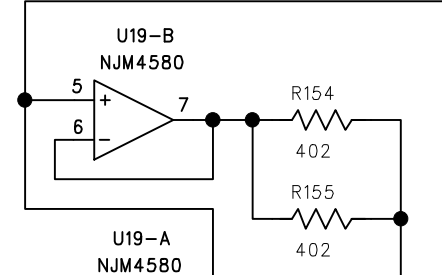
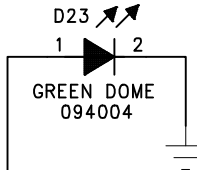
B

A

A



SIGNAL PRESENT



CHANNEL 4 OUT

COMPANY: SYMETRIX INC.

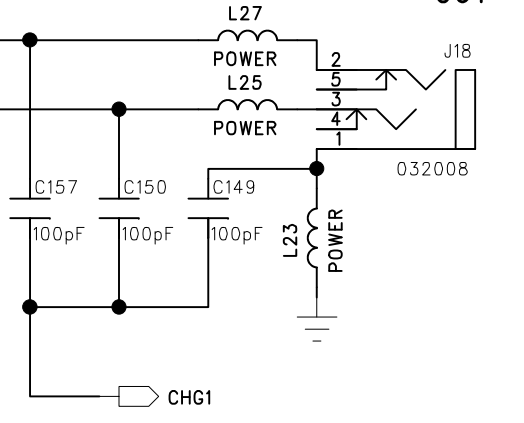
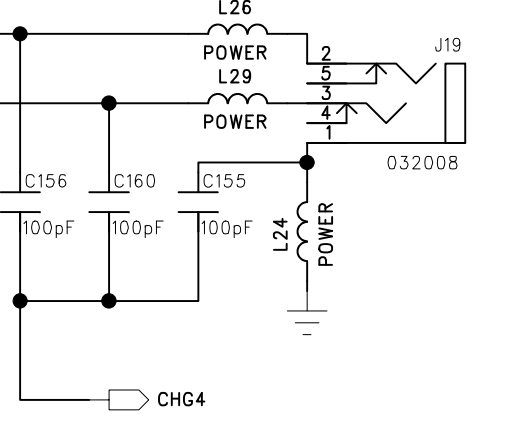
14926 35th Avenue West
Lynnwood, WA 98037-2303 USA

TITLE: REV:

DRAWING NO: SHEET: 6 OF 9

FRONT OUT

REAR OUT



6

5

4

3

2

1

SEE SHEET 1 FOR REVISIONS

D

D

C

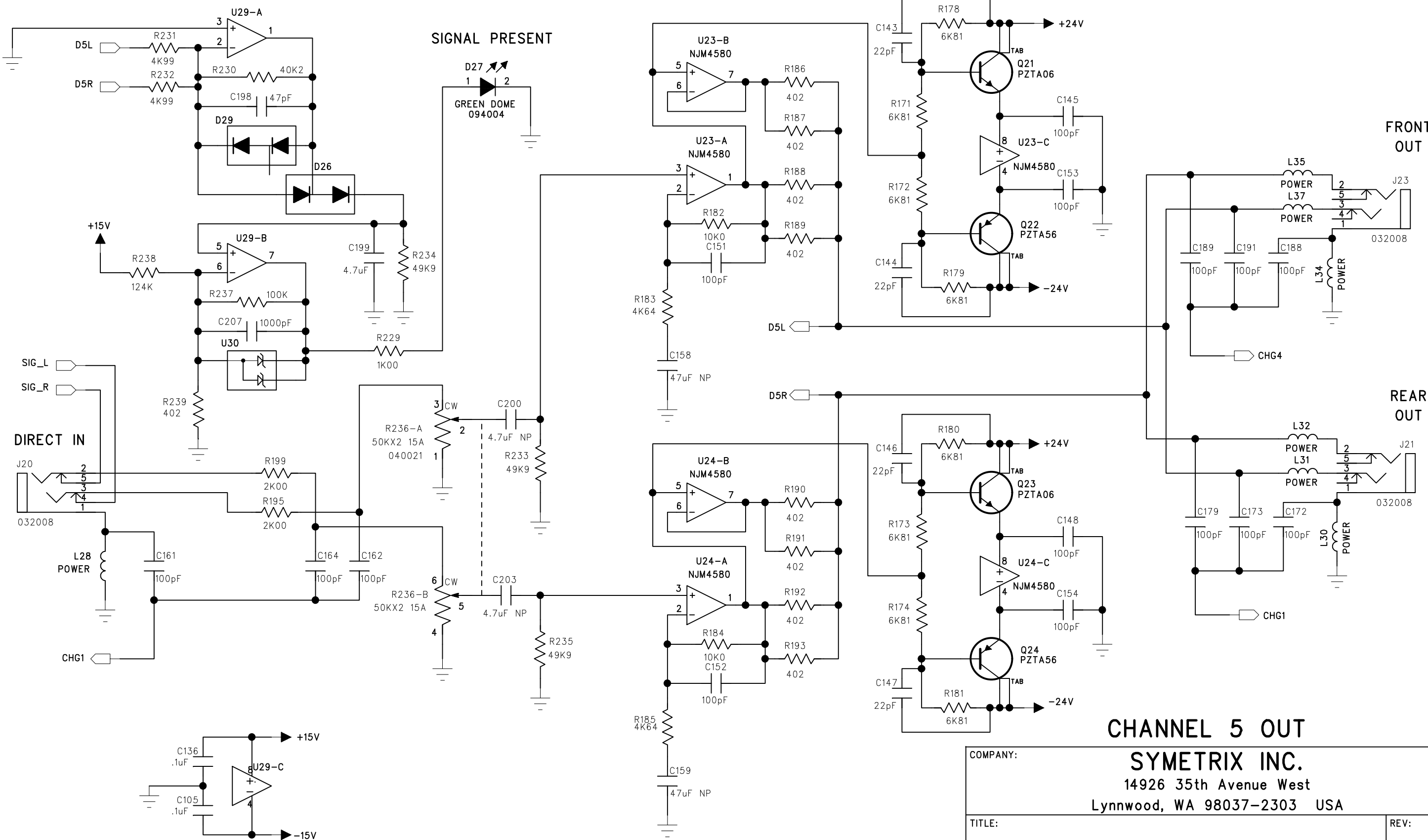
C

B

B

A

A



FRONT OUT

REAR OUT

CHANNEL 5 OUT

COMPANY:		SYMETRIX INC.	
		14926 35th Avenue West Lynnwood, WA 98037-2303 USA	
TITLE:		REV:	
DRAWING NO:		SHEET: 7 OF 9	

6

5

4

3

2

1

SEE SHEET 1 FOR REVISIONS

D

D

C

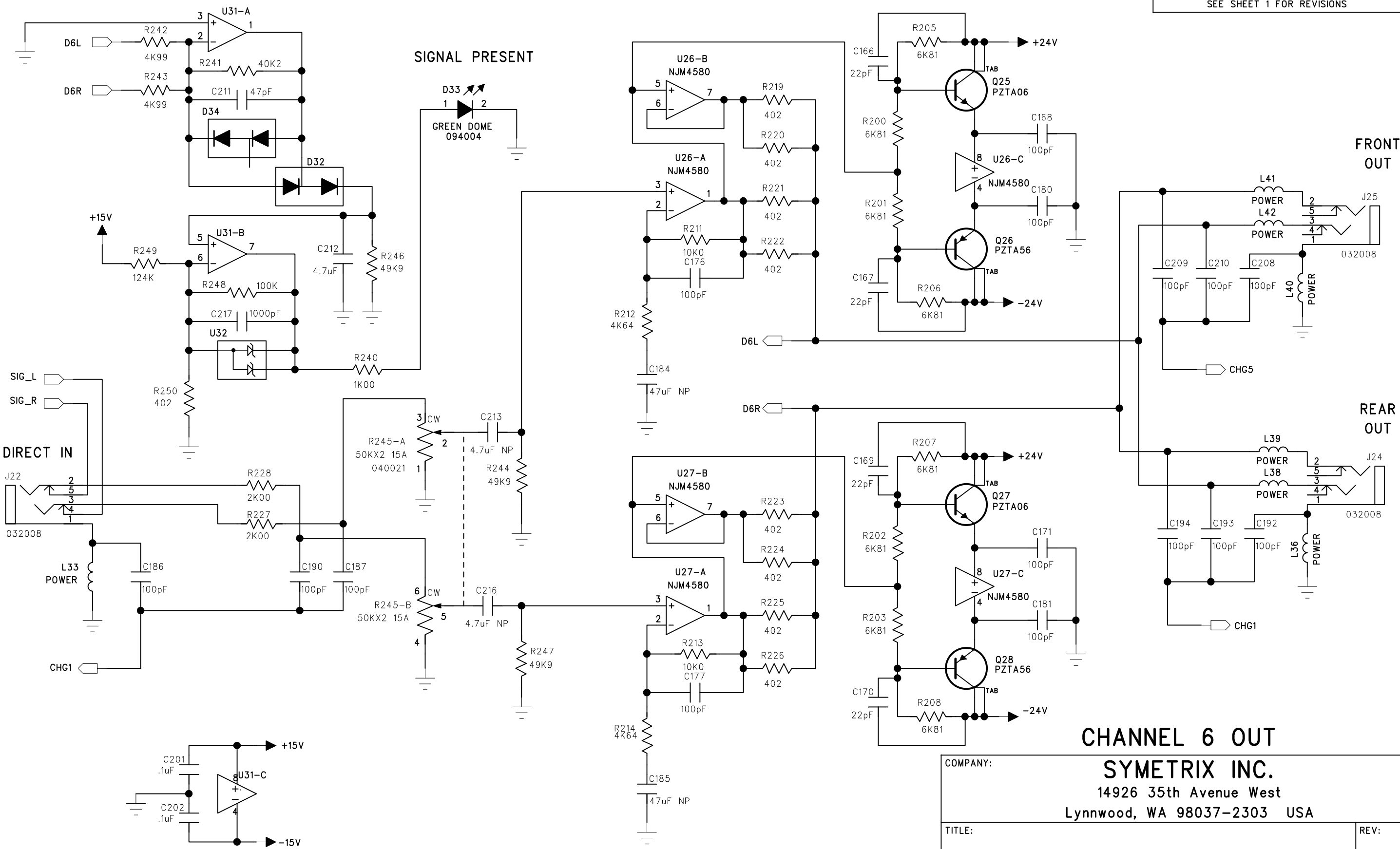
C

B

B

A

A



FRONT OUT

REAR OUT

CHANNEL 6 OUT

COMPANY:		SYMETRIX INC.	
		14926 35th Avenue West	
		Lynnwood, WA 98037-2303 USA	
TITLE:		REV:	
DRAWING NO:		SHEET: 8 OF 9	

6

5

4

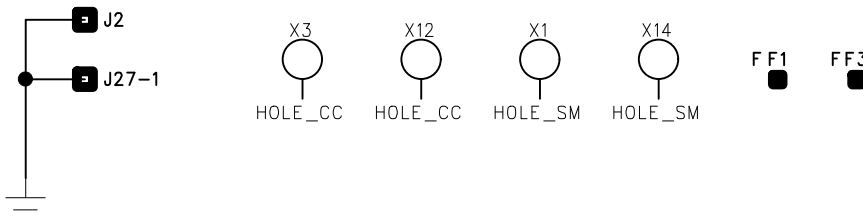
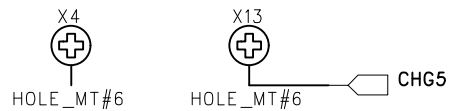
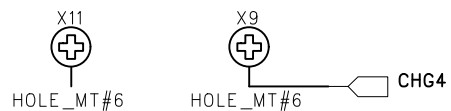
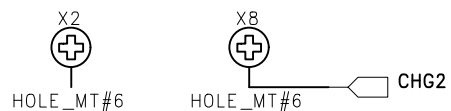
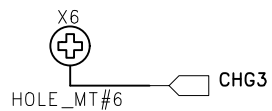
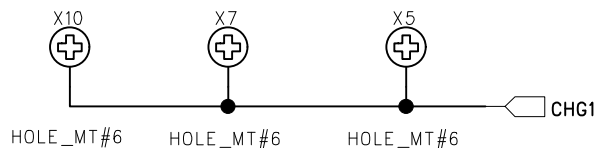
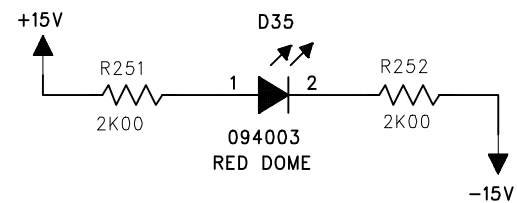
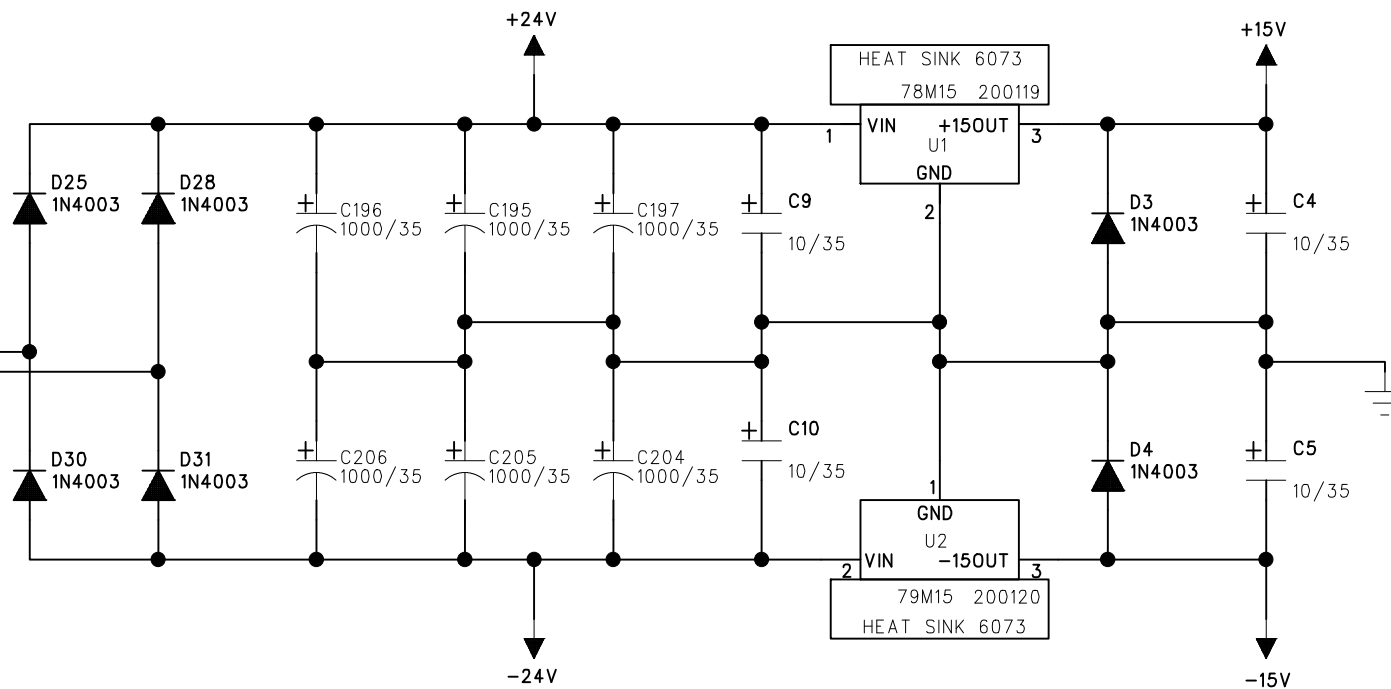
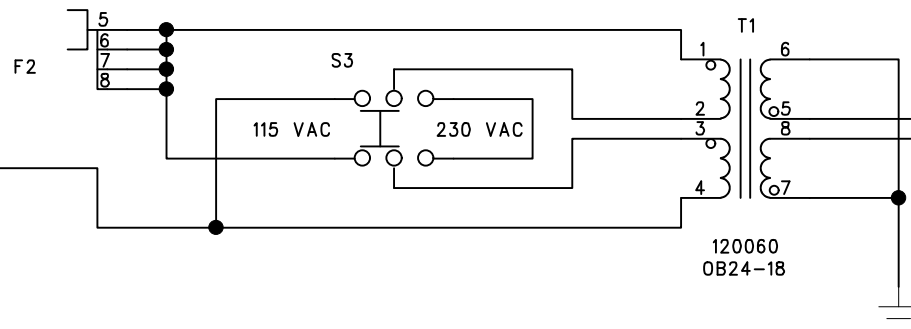
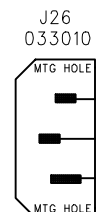
3

2

1

SEE SHEET 1 FOR REVISIONS

FUSE
FOR 115V: 1/4A 250V
FOR 230V: 1/8A 250V



POWER SUPPLY

COMPANY:		SYMETRIX INC.	
		14926 35th Avenue West Lynnwood, WA 98037-2303 USA	
TITLE:		REV:	
DRAWING NO:		SHEET: 9 OF 9	

D

D

C

C

B

B

A

A